

néro

recliner

the benchmark
for luxury seating



features:

Fine European leather collection: 4 leather grades ranging 70 colors. **Extensive fabric collection,** including like suede, velours, ...
Customer supplied leather or fabric option available.

Steel recline mechanism featuring our **single/dual motorized or manual pneumatic relax function.** The systems allows for the backrest and footrest to operate independently from one another.

A black or silver/grey **push-button control** module is seamlessly integrated into the armrest for operation of relax mechanism. Featuring a reset button for easier exit.

Fully articulating headrest allows for desired viewing condition and proper head and neck support.

Hand-cut foam cushioning: high-density foam promises years of comfort and performance.

Custom made to order allows for vast range of personalization to fit individual home theater design and user requirements.

Also available in manual or fixed version.

EUROPE / MIDDLE EAST / AFRICA

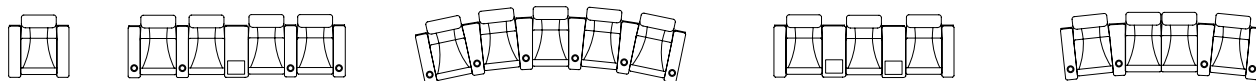
Hoevenstraat 47
2160 Wommelgem, Belgium
tel. +32 3 354 03 66 - fax. +32 3 354 03 77
info-eu@ceneak.com

AMERICAS / ASIA PAC

480 Gate 5 Road, Suite 126
Sausalito, CA 94965
tel. +1 866 458 0529 - fax. +1 415 634 1709
info@ceneak.com



néro recliner



Options & customizations

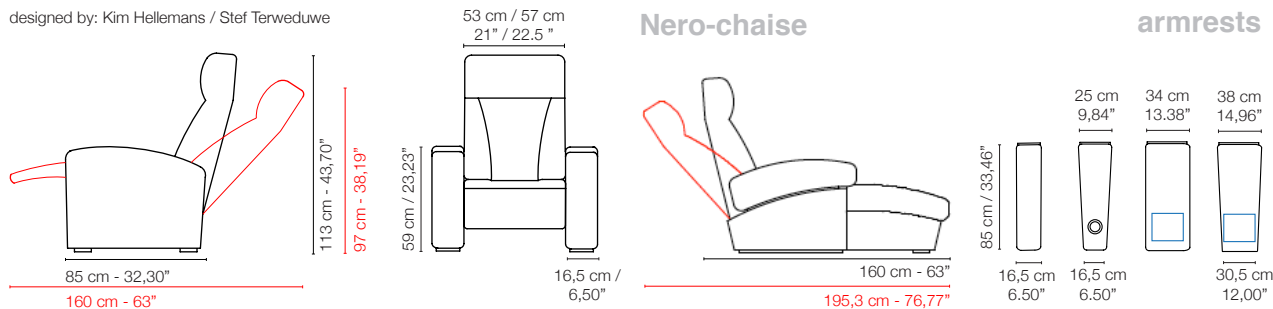
- Contrast stitching & piping
- Contact closure control of relax mechanism
- Crowson Motion integrated tactile effect system
- Battery pack for operation of relax mechanism
- Wide armrest with tray
- Embroidery of logo's, names, ...
- Cupholder (any RAL color)
- Electronic lumbar support
- Tray for drinks, ...



featuring a reset button which simultaneously operates the back and footrest to its closed position



designed by: Kim Hellemans / Stef Terweduwe



dimensions may vary due to leather, foam thickness and density, covering materials and position of reclining mechanism. Allow for small deviations - especially for row configurations